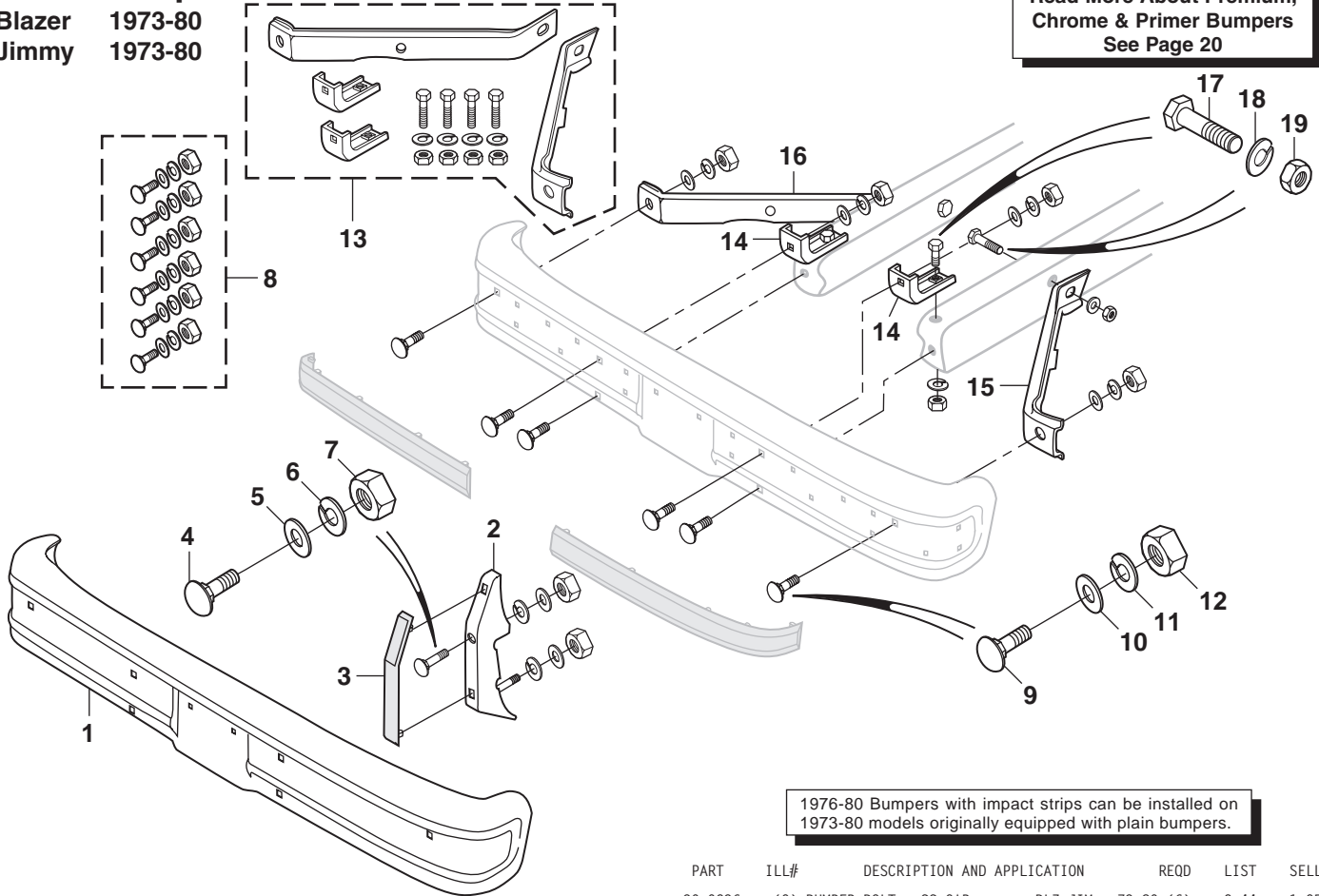


Front Bumper

Blazer 1973-80
Jimmy 1973-80

Read More About Premium, Chrome & Primer Bumpers See Page 20



1976-80 Bumpers with impact strips can be installed on 1973-80 models originally equipped with plain bumpers.

*After the sell price means Oversize Part Charge. Your order will incur a charge of \$20.00 for each oversized part.

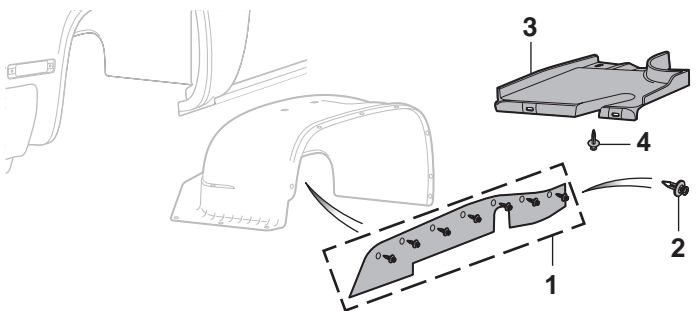
PART	ILL#	DESCRIPTION AND APPLICATION	REQD	LIST	SELL
38-9857	(1)	CHROME BUMPER PREMIUM "A" BLZ JIM	73-80 (1)	224.94	179.95 *
38-9257		CHROME BUMPER "A" BLZ JIM	73-80 (1)	162.44	129.95 *
38-9457		PRIMER BUMPER "A" BLZ JIM	73-80 (1)	124.94	99.95 *
30-3310	(2)	BUMPER GUARD-LH "B" BLZ JIM	77-80 (1)	162.44	129.95
30-3320	(3)	BUMPER STRIP-PUSH IN "B" BLZ JIM	77-80 (2)	24.94	19.95
30-0242	(4)	BUMPER BOLT-GUARD "B" BLZ JIM	77-80 (2)	2.44	1.95
30-0649	(5)	FLAT WASHER "B" BLZ JIM	77-80 (4)	.81	.65
30-0680	(6)	LOCK WASHER "B" BLZ JIM	77-80 (4)	.56	.45
30-0820	(7)	HEX NUT "B" BLZ JIM	77-80 (4)	1.19	.95
30-0190	(8)	BOLT KIT-24PC SS CAP "C" BLZ JIM	73-80 (1)	28.69	22.95
30-0717		BOLT KIT-24PC PAINTABLE "D" BLZ JIM	73-80 (1)	24.94	19.95

PART	ILL#	DESCRIPTION AND APPLICATION	REQD	LIST	SELL
30-0236	(9)	BUMPER BOLT SS CAP BLZ JIM	73-80 (6)	2.44	1.95
30-0649	(10)	FLAT WASHER BLZ JIM	73-80 (6)	.81	.65
30-0680	(11)	LOCK WASHER BLZ JIM	73-80 (6)	.56	.45
30-0820	(12)	HEX NUT BLZ JIM	73-80 (6)	1.19	.95
30-3769	(13)	BUMPER BRACE KIT BLZ JIM	73-80 (1)	87.44	69.95
30-3618	(14)	BUMPER BRACE BLZ JIM	73-80 (2)	16.19	12.95
30-3726	(15)	OUTER BRACE-LH BLZ JIM	73-80 (1)	33.69	26.95
30-3727	(16)	OUTER BRACE-RH BLZ JIM	73-80 (1)	33.69	26.95
30-0244	(17)	BRACE BOLT BLZ JIM	73-80 (4)	.63	.50
30-0680	(18)	LOCK WASHER BLZ JIM	73-80 (4)	.56	.45
30-0820	(19)	HEX NUT BLZ JIM	73-80 (4)	1.19	.95

Note: "A" Bumper has plain front and holes for license plate.
"B" For bumpers with impact strips.
"C" Bolt has Stainless Steel Cap.
"D" Bolt does not have Stainless Steel Cap.

Front Splash Shields

Blazer 1981-91
Jimmy 1981-91



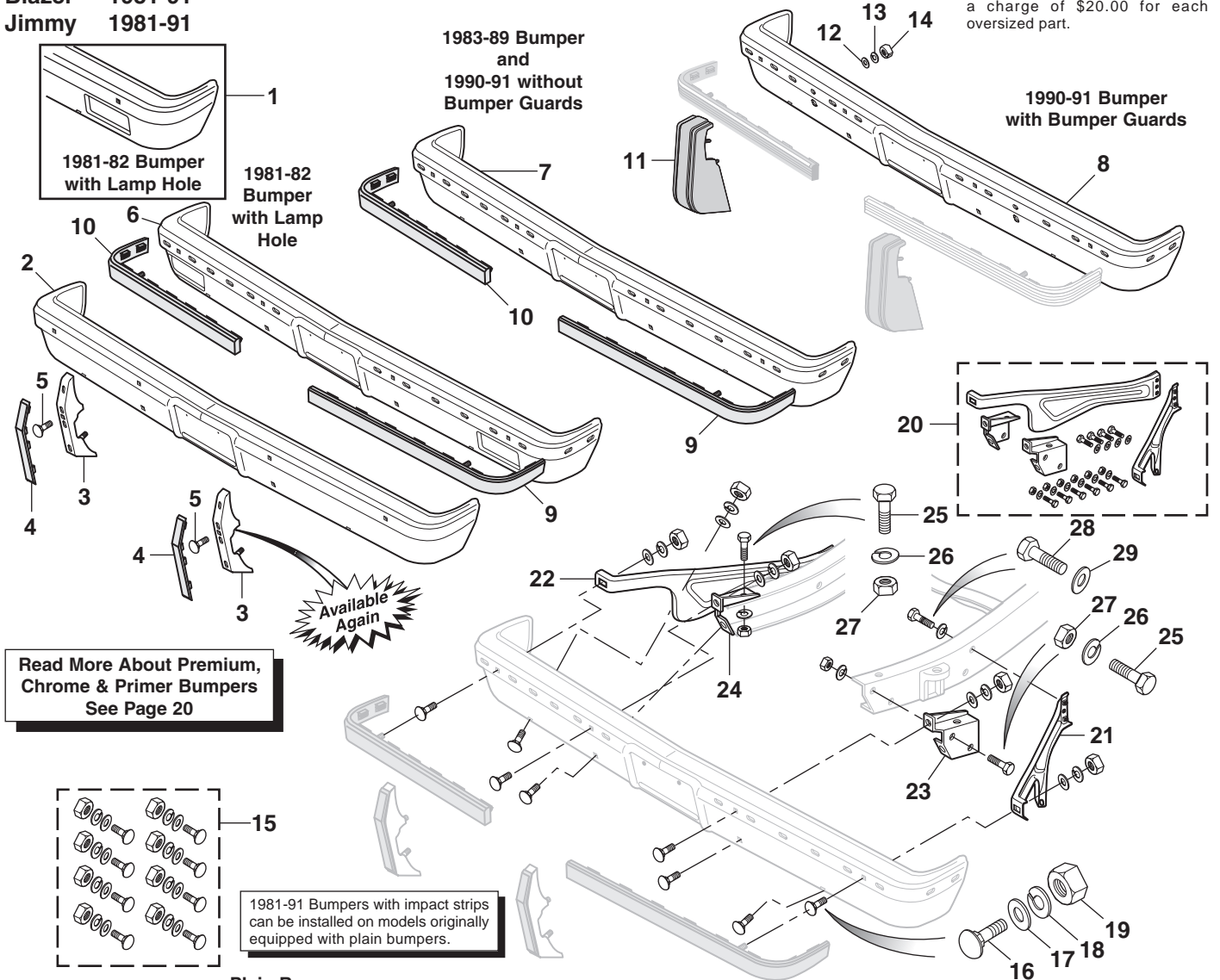
PART	ILL#	DESCRIPTION AND APPLICATION	REQD	LIST	SELL
30-2400	(1)	SPLASH SHIELD-LH W/CLIPS 2WD BLZ JIM	81-82 (1)	23.69	18.95
30-2401		SPLASH SHIELD-RH W/CLIPS 2WD BLZ JIM	81-82 (1)	23.69	18.95
30-2402		SPLASH SHIELD-LH W/CLIPS 4WD BLZ JIM	81-91 (1)	21.19	16.95
30-2403		SPLASH SHLD-RH W/CLIPS"A"4WD BLZ JIM	81-91 (1)	21.19	16.95
30-2407		SPLASH SHLD-RH W/CLIPS"B"4WD BLZ JIM	81-91 (1)	21.19	16.95
29-0836	(2)	CLIP BLZ JIM	81-91(14)	.81	.65
30-2404	(3)	SPLASH SHIELD REAR-LH BLZ JIM	81-91 (1)	18.69	14.95
30-2405		SPLASH SHIELD REAR-RH BLZ JIM	81-91 (1)	18.69	14.95
31-1602	(4)	CLIP BLZ JIM	81-91 (8)	1.19	.95

Note: "A" For models without front quad shocks.
"B" For models with front quad shocks.

Front Bumper

Blazer 1981-91
Jimmy 1981-91

*After the sell price means Oversize Part Charge. Your order will incur a charge of \$20.00 for each oversized part.



Read More About Premium, Chrome & Primer Bumpers
See Page 20

1981-91 Bumpers with impact strips can be installed on models originally equipped with plain bumpers.

Plain Bumpers

38-9859	(1) CHROME BUMPER PREMIUM	BLZ JIM	81-82 (1)	224.94	179.95	*
38-9259	CHROME BUMPER	BLZ JIM	81-82 (1)	162.44	129.95	*
38-9459	PRIMER BUMPER	BLZ JIM	81-82 (1)	124.94	99.95	*

38-9861	(2) CHROME BUMPER PREMIUM	BLZ JIM	83-91 (1)	224.94	179.95	*
38-9261	CHROME BUMPER	BLZ JIM	83-91 (1)	174.94	139.95	*
38-9461	PRIMER BUMPER	BLZ JIM	83-91 (1)	124.94	99.95	*

30-3306	(3) BUMPER GUARD-LH	BLZ JIM	81-91 (1)	137.44	109.95	
30-3307	BUMPER GUARD-RH	BLZ JIM	81-91 (1)	137.44	109.95	
30-3320	(4) BUMPER STRIP-PUSH IN TYPE	BLZ JIM	81-91 (2)	24.94	19.95	
30-0242	(5) BOLT-BUMPER GUARD	BLZ JIM	81-91 (2)	2.44	1.95	

Bumpers with Impact Strips

38-9860	(6) CHROME BUMPER PREMIUM	BLZ JIM	81-82 (1)	224.94	179.95	*
38-9260	CHROME BUMPER	BLZ JIM	81-82 (1)	149.94	119.95	*
38-9460	PRIMER BUMPER	BLZ JIM	81-82 (1)	124.94	99.95	*

38-9862	(7) CHROME BUMPER PREMIUM	"A" BLZ JIM	83-91 (1)	224.94	179.95	*
38-9262	CHROME BUMPER	"A" BLZ JIM	83-91 (1)	162.44	129.95	*
38-9462	PRIMER BUMPER	"A" BLZ JIM	83-91 (1)	124.94	99.95	*

38-9863	(8) CHROME BUMPER PREMIUM	"B" BLZ JIM	90-91 (1)	224.94	179.95	*
38-9463	PRIMER BUMPER	"B" BLZ JIM	90-91 (1)	124.94	99.95	*

30-3712	(9) IMPACT STRIP-LH	BLZ JIM	81-88 (1)	43.69	34.95	
30-3713	(10) IMPACT STRIP-RH	BLZ JIM	81-88 (1)	43.69	34.95	

Note: "A" 1990-91 models without Bumper Guards.
"B" 1990-91 models with Bumper Guards.
"C" Bolt has Stainless Steel Cap.
"D" Bolt does not have Stainless Steel Cap.

PART	ILL#	DESCRIPTION AND APPLICATION	REQD	LIST	SELL
30-3306	(3)	BUMPER GUARD-LH	BLZ JIM 81-89 (1)	137.44	109.95
30-3307		BUMPER GUARD-RH	BLZ JIM 81-89 (1)	137.44	109.95
30-3320	(4)	BUMPER STRIP-PUSH IN TYPE	BLZ JIM 81-89 (2)	24.94	19.95
30-0242	(5)	BOLT-BUMPER GUARD	BLZ JIM 81-89 (2)	2.44	1.95
30-3309	(11)	BUMPER GUARD-RH	BLZ JIM 90-91 (1)	46.19	36.95
30-0656	(12)	FLAT WASHER	BLZ JIM 90-91 (4)	.31	.25
30-0626	(13)	LOCK WASHER	BLZ JIM 90-91 (4)	.44	.35
30-0953	(14)	HEX NUT	BLZ JIM 90-91 (4)	.56	.45

Bumper Components

30-0192	(15)	BOLT KIT-32PC SS CAP "C"	BLZ JIM 81-91 (1)	24.94	19.95
30-0719		BOLT KIT-32PC PAINTABLE "D"	BLZ JIM 81-91 (1)	24.94	19.95
30-0236	(16)	BUMPER BOLT SS CAP	BLZ JIM 81-91 (8)	2.44	1.95
30-0649	(17)	FLAT WASHER	BLZ JIM 81-91 (8)	.81	.65
30-0680	(18)	LOCK WASHER	BLZ JIM 81-91 (8)	.56	.45
30-0820	(19)	NUT	BLZ JIM 81-91 (8)	1.19	.95
30-3770	(20)	BUMPER BRACE KIT	BLZ JIM 81-91 (1)	87.44	69.95
30-3752	(21)	BUMPER BRACE-OUTER-LH	BLZ JIM 81-91 (1)	24.94	19.95
30-3753	(23)	BUMPER BRACE-OUTER-RH	BLZ JIM 81-91 (1)	24.94	19.95
30-3754	(23)	BUMPER BRACE-LH	BLZ JIM 81-91 (1)	18.69	14.95
30-3755	(24)	BUMPER BRACE-RH	BLZ JIM 81-91 (1)	18.69	14.95
30-0244	(25)	HEX BOLT	BLZ JIM 81-91 (6)	.63	.50
30-0680	(26)	LOCK WASHER	BLZ JIM 81-91 (6)	.56	.45
30-0820	(27)	NUT	BLZ JIM 81-91 (6)	1.19	.95
30-0293	(28)	HEX BOLT	BLZ JIM 81-91 (4)	1.19	.95
30-0622	(29)	FLAT WASHER	BLZ JIM 81-91 (4)	.81	.65

Premium Chrome Bumpers

- Bumper is stamped from new tooling using OE-quality steel for strength and durability.
- Bumper is buffed and polished to achieve a smooth defect-free plating surface.
- The Triple Nickel Plating process creates a brilliant, high-quality mirror-like finish.
- 5 Year Limited Warranty on rust-through perforations.

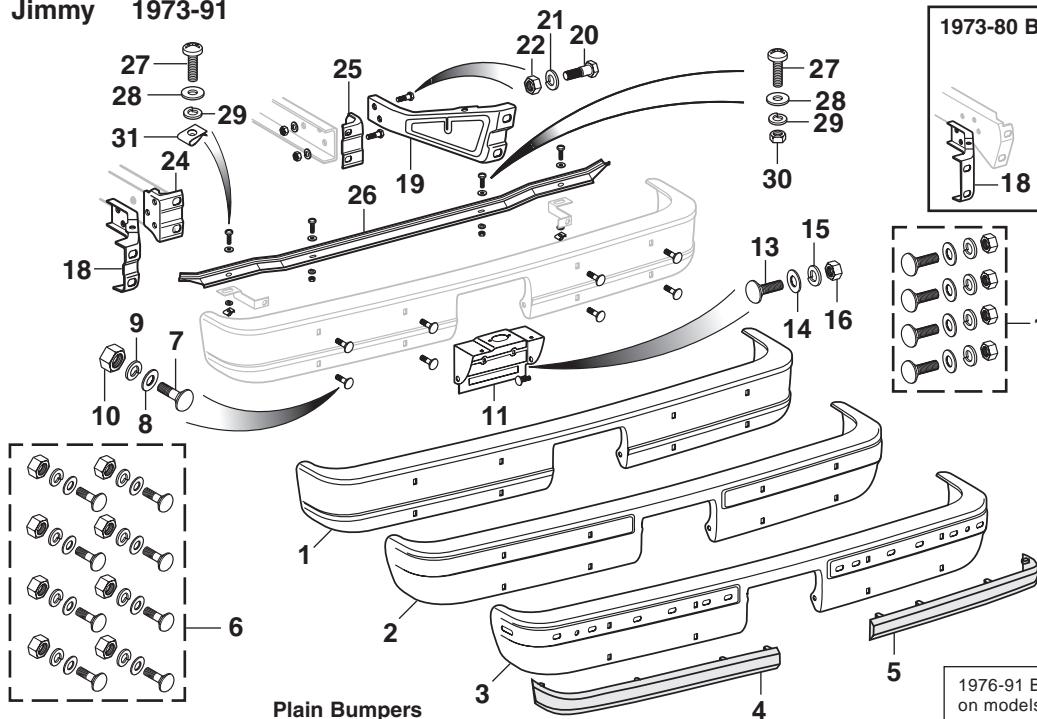
Chrome Bumper and Primer Bumper

- Bumpers used by Collision Damage Repair Shops.
- Chrome Bumper is made with a computer-controlled process assuring consistent thickness of nickel and chrome plating.
- Primer Bumper is finished with an EDP (Electro Deposit Primer) coating that offers a smooth surface for applying your favorite color to match your truck.
- Economically priced replacements for your rusty, dull, scratched and pitted bumper.
- Save money, call or go online and order your bumper today.

Rear Bumper

Blazer 1973-91
Jimmy 1973-91

*After the sell price means Oversize Part Charge. Your order will incur a charge of \$20.00 for each oversized part.



Plain Bumpers

38-9883	(1) CHROME BUMPER PREMIUM	BLZ JIM	73-80 (1)	224.94	179.95	*
38-9283	CHROME BUMPER	BLZ JIM	73-80 (1)	174.94	139.95	*
38-9483	PRIMER BUMPER	BLZ JIM	73-80 (1)	124.94	99.95	*

38-9885	(2) CHROME BUMPER PREMIUM	BLZ JIM	81-91 (1)	224.94	179.95	*
38-9285	CHROME BUMPER	BLZ JIM	81-91 (1)	187.44	149.95	*
38-9485	PRIMER BUMPER	BLZ JIM	81-91 (1)	124.94	99.95	*

Bumpers with Impact Strips

38-9886	(3) CHROME BUMPER PREMIUM	BLZ JIM	81-91 (1)	224.94	179.95	*
38-9286	CHROME BUMPER	BLZ JIM	81-91 (1)	174.94	139.95	*
38-9486	PRIMER BUMPER	BLZ JIM	81-91 (1)	124.94	99.95	*

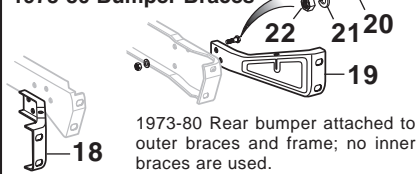
30-3342	(4) IMPACT PAD-REAR-LH	BLZ JIM	81-91 (1)	43.69	34.95	
30-3343	(5) IMPACT PAD-REAR-RH	BLZ JIM	81-91 (1)	43.69	34.95	

30-0192	(6) BOLT KIT-32PC SS CAP	BLZ JIM	73-91 (1)	24.94	19.95	
30-0719	BOLT KIT-32PC PAINTABLE "B"	BLZ JIM	73-91 (1)	24.94	19.95	

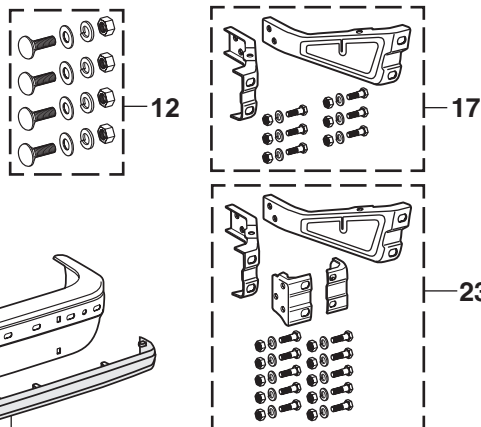
30-0236	(7) BUMPER BOLT SS CAP	BLZ JIM	73-91 (8)	2.44	1.95	
30-0649	(8) FLAT WASHER	BLZ JIM	73-91 (8)	.81	.65	
30-0680	(9) LOCK WASHER	BLZ JIM	73-91 (8)	.56	.45	
30-0820	(10) HEX NUT	BLZ JIM	73-91 (8)	1.19	.95	

Left Hand (LH) & Right Hand (RH) Means as You Sit Facing Forward in the Truck

1973-80 Bumper Braces



1973-80 Rear bumper attached to outer braces and frame; no inner braces are used.

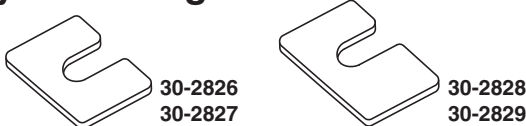


1976-91 Bumpers with impact strips can be installed on models originally equipped with plain bumpers.

PART	ILL#	DESCRIPTION AND APPLICATION	REQD	LIST	SELL
30-3706	(11)	REAR LICENSE PANEL-CHROME	BLZ JIM 81-91 (1)	74.94	59.95
30-3705		REAR LICENSE PANEL-PRIMER	BLZ JIM 81-91 (1)	37.44	29.95
30-0589	(12)	LICENSE PANEL HARDWARE KIT	BLZ JIM 73-91 (1)	9.94	7.95
30-0339	(13)	PANEL BOLT	BLZ JIM 73-91 (4)	1.19	.95
30-0659	(14)	FLAT WASHER	BLZ JIM 73-91 (4)	.25	.20
30-0628	(15)	LOCK WASHER	BLZ JIM 73-91 (4)	.44	.35
30-0907	(16)	HEX NUT	BLZ JIM 73-91 (4)	.81	.65
30-3767	(17)	BUMPER BRACE KIT	BLZ JIM 73-80 (1)	62.44	49.95
30-3746	(18)	OUTER BRACE-LH	BLZ JIM 73-80 (1)	37.44	29.95
30-3747	(19)	OUTER BRACE-RH	BLZ JIM 73-80 (1)	37.44	29.95
30-0225	(20)	BRACE BOLT	BLZ JIM 73-80 (6)	2.44	1.95
30-0680	(21)	LOCK WASHER	BLZ JIM 73-80 (6)	.56	.45
30-0820	(22)	HEX NUT	BLZ JIM 73-80 (6)	1.19	.95
30-3768	(23)	BUMPER BRACE KIT	BLZ JIM 81-91 (1)	124.94	99.95
30-3756	(18)	OUTER BRACE-LH	BLZ JIM 81-91 (1)	33.69	26.95
30-3757	(19)	OUTER BRACE-RH	BLZ JIM 81-91 (1)	33.69	26.95
30-3760	(24)	INNER BRACE-LH	BLZ JIM 81-91 (1)	49.94	39.95
30-3761	(25)	INNER BRACE-RH	BLZ JIM 81-91 (1)	49.94	39.95
30-0225	(20)	BRACE BOLT	BLZ JIM 81-91(10)	2.44	1.95
30-0680	(21)	LOCK WASHER	BLZ JIM 81-91(10)	.56	.45
30-0820	(22)	HEX NUT	BLZ JIM 81-91(10)	1.19	.95
30-3785	(26)	DEFLECTOR	BLZ JIM 73-91 (1)	74.94	59.95
30-0534	(27)	SCREW-PAN HEAD PHILLIPS	BLZ JIM 73-91 (4)	2.44	1.95
30-0656	(28)	FLAT WASHER	BLZ JIM 73-91 (4)	.31	.25
30-0626	(29)	LOCK WASHER	BLZ JIM 73-91 (4)	.44	.35
30-0845	(30)	HEX NUT	BLZ JIM 73-91 (2)	.81	.65
30-0701	(31)	U-NUT	BLZ JIM 73-91 (2)	.50	.40

Note: "A" Bolt has Stainless Steel Cap.
"B" Bolt does not have Stainless Steel Cap.

Body Panel Alignment Shims



PART	DESCRIPTION AND APPLICATION	REQD	LIST	SELL
30-2826	SHIM 1/16" THICK 3/8" SLOT	A/R	.81	.65
30-2827	SHIM 1/8" THICK 3/8" SLOT	A/R	.81	.65
30-2828	SHIM 1/16" THICK 1/2" SLOT	A/R	.81	.65
30-2829	SHIM 1/8" THICK 1/2" SLOT	A/R	.81	.65