

Premium Chrome Bumpers

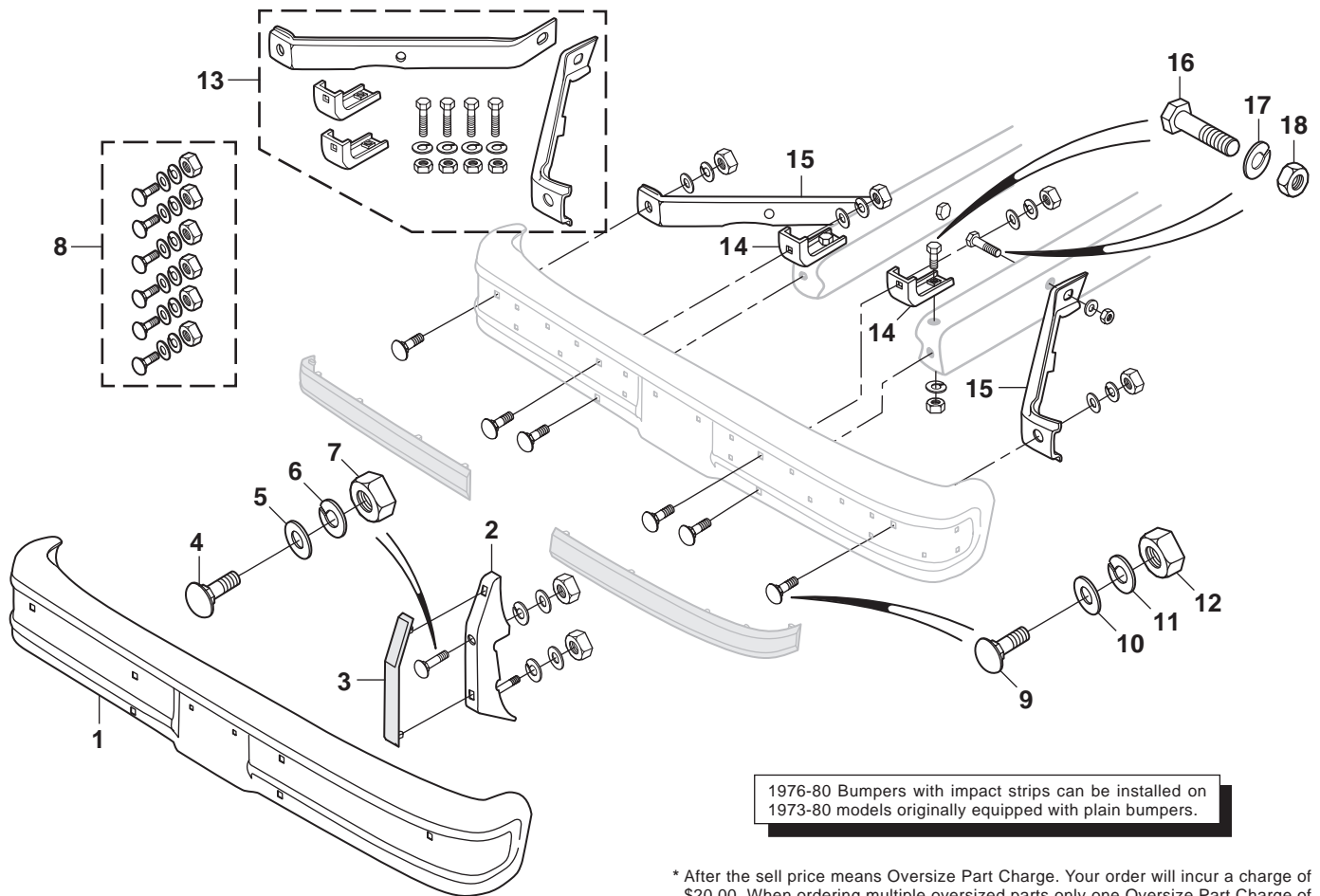
- Bumper is stamped from new tooling using OE-quality steel for strength and durability.
- Bumper is buffed and polished to achieve a smooth defect-free plating surface.
- The Triple Nickel Plating process creates a brilliant, high-quality mirror-like finish.
- 5 Year Limited Warranty on rust-through perforations.

Chrome Bumper and Primer Bumper

- Bumpers used by Collision Damage Repair Shops.
- Chrome Bumper is made with a computer-controlled process assuring consistent thickness of nickel and chrome plating.
- Primer Bumper is finished with an EDP (Electro Deposit Primer) coating that offers a smooth surface for applying your favorite color to match your truck.
- Economically priced replacements for your rusty, dull, scratched and pitted bumper.
- Save money, call or go online and order your bumper today.

Front Bumper

Chevrolet Truck 1973-80 **Crew Cab 1973-80**
GMC Truck 1973-80



PART	ILL#	DESCRIPTION AND APPLICATION	REQD	LIST	SELL
38-9857	(1)	CHROME BUMPER PREMIUM "A" CHEVY GMC 73-80	(1)	224.94	179.95 *
38-9257		CHROME BUMPER "A" CHEVY GMC 73-80	(1)	162.44	129.95 *
38-9457		PRIMER BUMPER "A" CHEVY GMC 73-80	(1)	124.94	99.95 *
30-3310	(2)	BUMPER GUARD-LH "B" CHEVY GMC 77-80	(1)	162.44	129.95
30-3320	(3)	BUMPER STRIP-PUSH IN "B" CHEVY GMC 77-80	(2)	24.94	19.95
30-0242	(4)	BUMPER BOLT "B" CHEVY GMC 77-80	(2)	2.44	1.95
30-0649	(5)	FLAT WASHER "B" CHEVY GMC 77-80	(4)	.81	.65
30-0680	(6)	LOCK WASHER "B" CHEVY GMC 77-80	(4)	.56	.45
30-0820	(7)	HEX NUT "B" CHEVY GMC 77-80	(4)	1.19	.95

Note: "A" Bumper has plain front and holes for license plate.
 "B" For bumpers with impact strips.
 "C" Bolt has Stainless Steel Cap.
 "D" Bolt does not have Stainless Steel Cap.

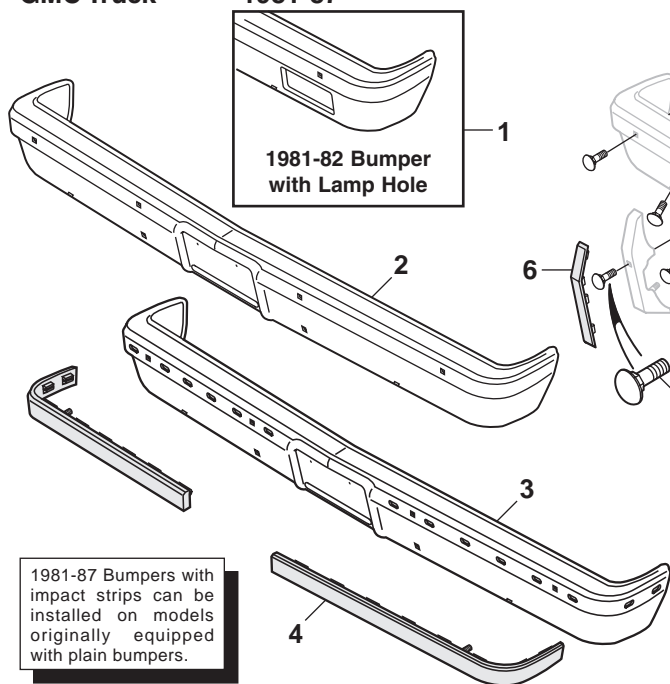
* After the sell price means Oversize Part Charge. Your order will incur a charge of \$20.00. When ordering multiple oversized parts only one Oversize Part Charge of \$20.00 will be applied to your order.

PART	ILL#	DESCRIPTION AND APPLICATION	REQD	LIST	SELL
30-0190	(8)	BOLT KIT-24PC SS CAP "C" CHEVY GMC 73-80	(1)	28.69	22.95
30-0717		BOLT KIT-24PC PAINTABLE "D" CHEVY GMC 73-80	(1)	24.94	19.95
30-0236	(9)	BUMPER BOLT SS CAP CHEVY GMC 73-80	(6)	2.44	1.95
30-0649	(10)	FLAT WASHER CHEVY GMC 73-80	(6)	.81	.65
30-0680	(11)	LOCK WASHER CHEVY GMC 73-80	(6)	.56	.45
30-0820	(12)	HEX NUT CHEVY GMC 73-80	(6)	1.19	.95
30-3769	(13)	BUMPER BRACE KIT CHEVY GMC 73-80	(1)	87.44	69.95
30-3618	(14)	BUMPER BRACE CHEVY GMC 73-80	(2)	16.19	12.95
30-3726	(15)	OUTER BRACE-LH CHEVY GMC 73-80	(1)	33.69	26.95
30-3727		OUTER BRACE-RH CHEVY GMC 73-80	(1)	33.69	26.95
30-0244	(16)	BRACE BOLT CHEVY GMC 73-80	(4)	.63	.50
30-0680	(17)	LOCK WASHER CHEVY GMC 73-80	(4)	.56	.45
30-0820	(18)	HEX NUT CHEVY GMC 73-80	(4)	1.19	.95

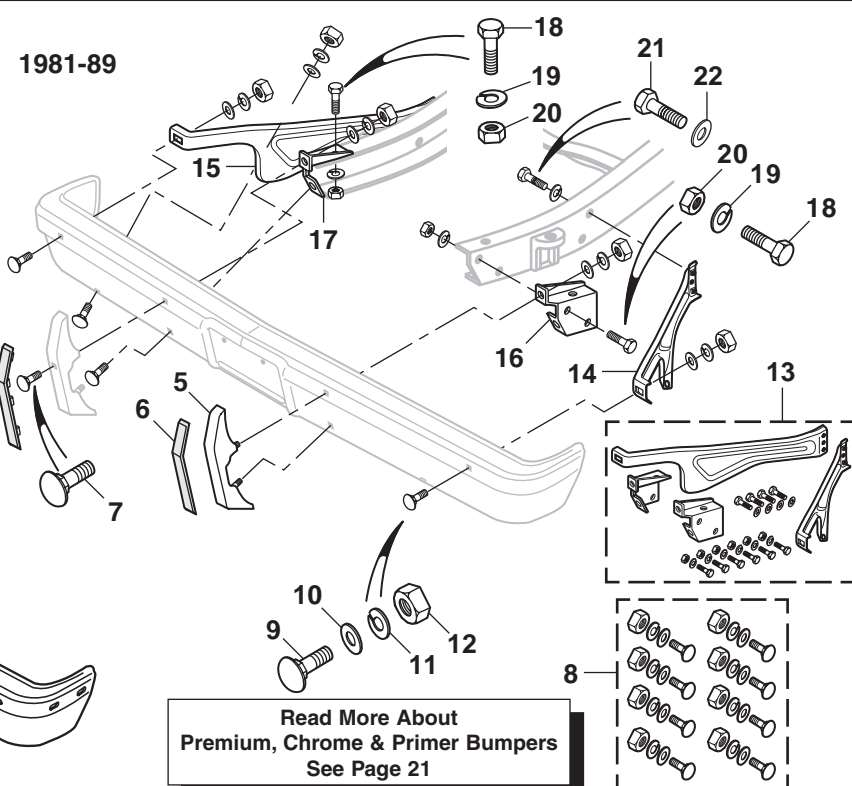
Front Bumper

Chevrolet Truck 1981-87
GMC Truck 1981-87

Crew Cab 1981-89



1981-87 Bumpers with impact strips can be installed on models originally equipped with plain bumpers.



Read More About Premium, Chrome & Primer Bumpers See Page 21

* After the sell price means Oversize Part Charge. Your order will incur a charge of \$20.00. When ordering multiple oversized parts only one Oversize Part Charge of \$20.00 will be applied to your order.

PART	ILL#	DESCRIPTION AND APPLICATION	REQD	LIST	SELL
38-9859	(1)	CHROME BUMPER PREMIUM "A" CHEVY GMC 81-82 (1)	1	224.94	179.95 *
38-9259		CHROME BUMPER "A" CHEVY GMC 81-82 (1)	1	162.44	129.95 *
38-9459		PRIMER BUMPER "A" CHEVY GMC 81-82 (1)	1	124.94	99.95 *
38-9861	(2)	CHROME BUMPER PREMIUM "A" CHEVY GMC 83-87 (1)	1	224.94	179.95 *
38-9261		CHROME BUMPER "A" CHEVY GMC 83-87 (1)	1	174.94	139.95 *
38-9461		PRIMER BUMPER "A" CHEVY GMC 83-87 (1)	1	124.94	99.95 *
38-9860		CHROME BUMPER PREMIUM "B" CHEVY GMC 81-82 (1)	1	224.94	179.95 *
38-9260		CHROME BUMPER "B" CHEVY GMC 81-82 (1)	1	162.44	129.95 *
38-9460		PRIMER BUMPER "B" CHEVY GMC 81-82 (1)	1	124.94	99.95 *
38-9862	(3)	CHROME BUMPER PREMIUM "B" CHEVY GMC 83-87 (1)	1	224.94	179.95 *
38-9262		CHROME BUMPER "B" CHEVY GMC 83-87 (1)	1	162.44	129.95 *
38-9462		PRIMER BUMPER "B" CHEVY GMC 83-87 (1)	1	124.94	99.95 *
30-3712	(4)	IMPACT STRIP-LH "B" CHEVY GMC 81-87 (1)	1	43.69	34.95
30-3713		IMPACT STRIP-RH "B" CHEVY GMC 81-87 (1)	1	43.69	34.95
30-3307	(5)	BUMPER GUARD-RH CHEVY GMC 81-87 (1)	1	137.44	109.95

PART	ILL#	DESCRIPTION AND APPLICATION	REQD	LIST	SELL
30-3320	(6)	BUMPER STRIP-PUSH IN TYPE CHEVY GMC 81-87 (2)	2	24.94	19.95
30-0242	(7)	BUMPER BOLT CHEVY GMC 81-87 (2)	2	2.44	1.95
30-0192	(8)	BOLT KIT-32PC SS CAP "C" CHEVY GMC 81-87 (1)	1	24.94	19.95
30-0719		BOLT KIT-32PC PAINTABLE "D" CHEVY GMC 81-87 (1)	1	24.94	19.95
30-0236	(9)	BUMPER BOLT SS CAP CHEVY GMC 81-87 (8)	8	2.44	1.95
30-0649	(10)	FLAT WASHER CHEVY GMC 81-87 (8)	8	.81	.65
30-0680	(11)	LOCK WASHER CHEVY GMC 81-87 (8)	8	.56	.45
30-0820	(12)	NUT CHEVY GMC 81-87 (8)	8	1.19	.95
30-3770	(13)	BUMPER BRACE KIT CHEVY GMC 81-87 (1)	1	87.44	69.95
30-3752	(14)	BUMPER BRACE-OUTER-LH CHEVY GMC 81-87 (1)	1	24.94	19.95
30-3753	(15)	BUMPER BRACE-OUTER-RH CHEVY GMC 81-87 (1)	1	24.94	19.95
30-3754	(16)	BUMPER BRACE-LH CHEVY GMC 81-87 (1)	1	18.69	14.95
30-3755	(17)	BUMPER BRACE-RH CHEVY GMC 81-87 (1)	1	18.69	14.95
30-0244	(18)	HEX BOLT CHEVY GMC 81-87 (6)	6	.63	.50
30-0680	(19)	LOCK WASHER CHEVY GMC 81-87 (6)	6	.56	.45
30-0820	(20)	NUT CHEVY GMC 81-87 (6)	6	1.19	.95
30-0293	(21)	BOLT CHEVY GMC 81-87 (4)	4	1.19	.95
30-0622	(22)	FLAT WASHER CHEVY GMC 81-87 (4)	4	.81	.65

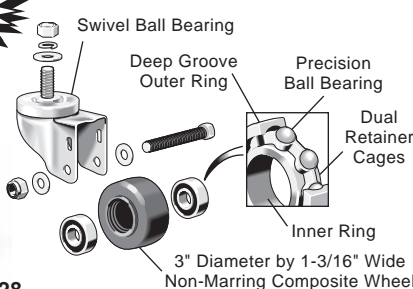
Note: "A" Bumper has plain front and holes for license plate.
"B" For bumpers with impact strips. Bumper has holes for license plate.

Note: "C" Bolt has Stainless Steel Cap.
"D" Bolt does not have Stainless Steel Cap.

Extra Heavy-Duty Truck Dolly Set Makes Moving Your Truck Easy



LMC Truck Exclusive



38-0328

PART	DESCRIPTION AND APPLICATION	LIST	SELL
38-0328	XHD TRUCK DOLLY SET OF 4 7,000 LB CAPACITY	212.44	169.95 *

- XHD Auto Dolly Set makes it easy for one person to move a car, truck or SUV forward, backward or sideways into a tight spot.
- 7,000 lbs. rating means you can handle any car, SUV or truck up thru 3/4 ton pickups.
- Dolly platform painted black.
- 1/4" thick mild steel x 12" x 16" formed plate.
- Ball bearing caster wheels are 3" in diameter by 1-3/16" wide.
- Each non-marring composite caster has a swivel ball bearing and two deep groove ball bearings.
- Each dolly has one caster equipped with one locking safety brake.
- XHD Auto Dollies are only for use on level smooth surfaces.

* After the sell price means Oversize Part Charge. Your order will incur a charge of \$20.00. When ordering multiple oversized parts only one Oversize Part Charge of \$20.00 will be applied to your order.

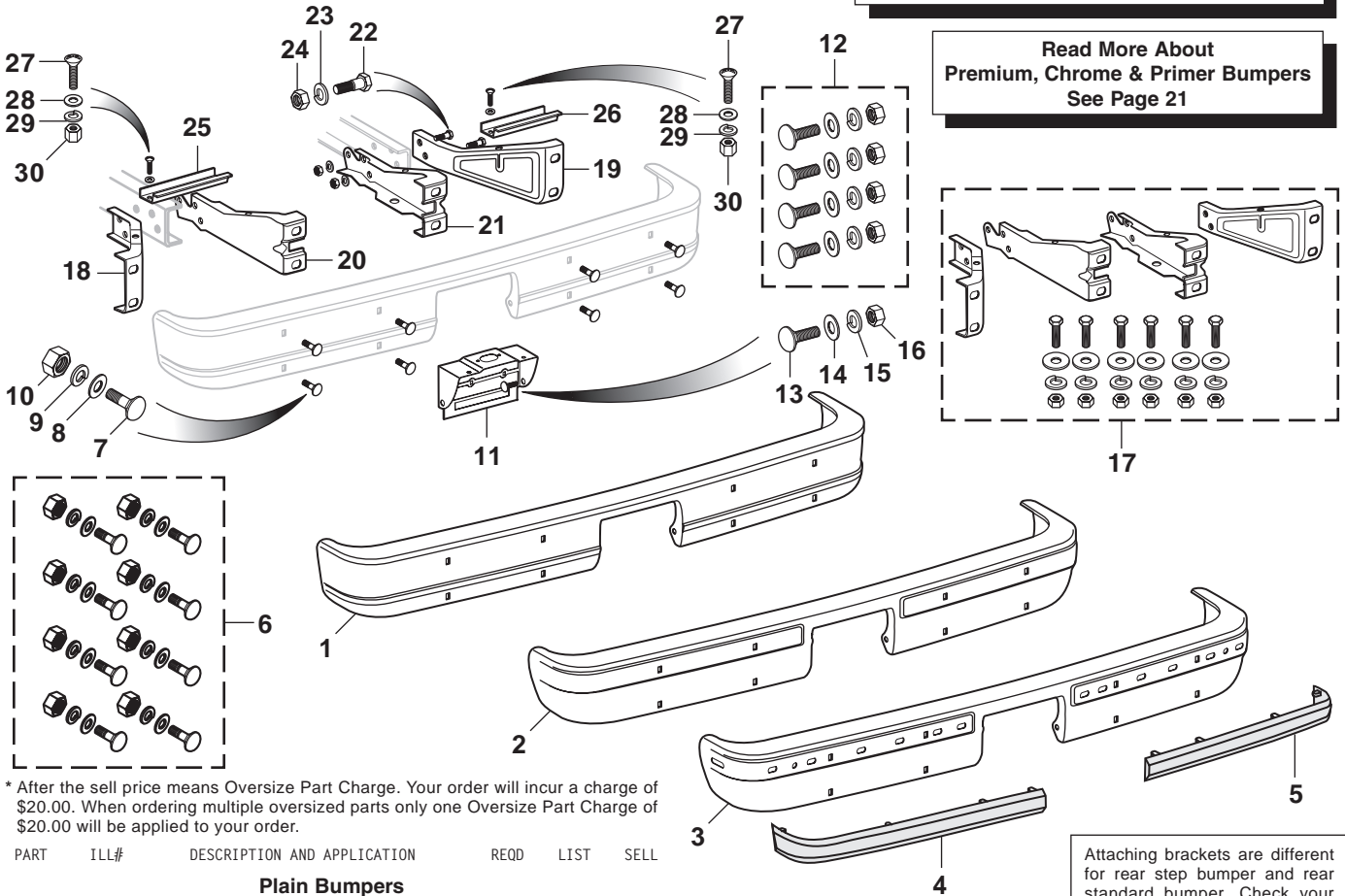
Rear Bumper

Chevrolet Truck 1973-87
GMC Truck 1973-87

Crew Cab 1973-89

1976-80 Bumpers with impact strips can be installed on 1973-80 models originally equipped with plain bumpers.

1981-87 Bumpers with impact strips can be installed on 1981-87 models originally equipped with plain bumpers.



Read More About Premium, Chrome & Primer Bumpers See Page 21

* After the sell price means Oversize Part Charge. Your order will incur a charge of \$20.00. When ordering multiple oversized parts only one Oversize Part Charge of \$20.00 will be applied to your order.

PART	ILL#	DESCRIPTION AND APPLICATION	REQD	LIST	SELL
Plain Bumpers					
38-9883	(1)	CHROME BUMPER PREMIUM	FLEETSIDE 73-80 (1)	224.94	179.95 *
38-9283		CHROME BUMPER	FLEETSIDE 73-80 (1)	174.94	139.95 *
38-9483		PRIMER BUMPER	FLEETSIDE 73-80 (1)	124.94	99.95 *
38-9885	(2)	CHROME BUMPER PREMIUM	FLEETSIDE 81-87 (1)	224.94	179.95 *
38-9285		CHROME BUMPER	FLEETSIDE 81-87 (1)	187.44	149.95 *
38-9485		PRIMER BUMPER	FLEETSIDE 81-87 (1)	124.94	99.95 *
38-9874		CHROME BUMPER PREMIUM	STEPSIDE 73-87 (1)	237.44	189.95 *
38-9274		CHROME BUMPER	STEPSIDE 73-87 (1)	187.44	149.95 *
38-9474		PRIMER BUMPER	STEPSIDE 73-87 (1)	124.94	99.95 *
Bumpers with Impact Strips					
38-9886	(3)	CHROME BUMPER PREMIUM	FLEETSIDE 81-87 (1)	224.94	179.95 *
38-9286		CHROME BUMPER	FLEETSIDE 81-87 (1)	174.94	139.95 *
38-9486		PRIMER BUMPER	FLEETSIDE 81-87 (1)	124.94	99.95 *
30-3342	(4)	IMPACT PAD-REAR-LH	CHEVY GMC 81-87 (1)	43.69	34.95
30-3343	(5)	IMPACT PAD-REAR-RH	CHEVY GMC 81-87 (1)	43.69	34.95
30-0192	(6)	BOLT KIT-32PC SS CAP "A"	CHEVY GMC 73-87 (1)	24.94	19.95
30-0719		BOLT KIT-32PC PAINTABLE "B"	CHEVY GMC 73-87 (1)	24.94	19.95
30-0236	(7)	BUMPER BOLT SS CAP	CHEVY GMC 73-87 (8)	2.44	1.95
30-0649	(8)	FLAT WASHER	CHEVY GMC 73-87 (8)	.81	.65
30-0680	(9)	LOCK WASHER	CHEVY GMC 73-87 (8)	.56	.45
30-0820	(10)	HEX NUT	CHEVY GMC 73-87 (8)	1.19	.95
30-3706	(11)	REAR LICENSE PANEL-CHROME	CHEVY GMC 73-87 (1)	74.94	59.95
30-3705		REAR LICENSE PANEL-PRIMER	CHEVY GMC 73-87 (1)	37.44	29.95
30-0589	(12)	LICENSE PANEL HARDWARE KIT	CHEVY GMC 73-87 (1)	9.94	7.95
30-0339	(13)	PANEL BOLT	CHEVY GMC 73-87 (4)	1.19	.95
30-0659	(14)	FLAT WASHER	CHEVY GMC 73-87 (4)	.25	.20
30-0628	(15)	LOCK WASHER	CHEVY GMC 73-87 (4)	.44	.35
30-0907	(16)	HEX NUT	CHEVY GMC 73-87 (4)	.81	.65

Note: "A" Bolt has Stainless Steel Cap.
"B" Bolt does not have Stainless Steel Cap.

PART	ILL#	DESCRIPTION AND APPLICATION	REQD	LIST	SELL
30-3764	(17)	BUMPER BRACE KIT	FLEETSIDE 73-80 (1)	149.94	119.95
30-3765		BUMPER BRACE KIT	FLEETSIDE 81-87 (1)	149.94	119.95
30-3766		BUMPER BRACE KIT	STEPSIDE 73-87 (1)	149.94	119.95
30-3746	(18)	OUTER BRACE-LH	FLEETSIDE 73-80 (1)	37.44	29.95
30-3747	(19)	OUTER BRACE-RH	FLEETSIDE 73-80 (1)	37.44	29.95
30-3756		OUTER BRACE-LH	FLEETSIDE 81-87 (1)	33.69	26.95
30-3757		OUTER BRACE-RH	FLEETSIDE 81-87 (1)	33.69	26.95
30-3748		OUTER BRACE-LH	STEPSIDE 73-87 (1)	37.44	29.95
30-3749		OUTER BRACE-RH	STEPSIDE 73-87 (1)	37.44	29.95
30-3742	(20)	INNER BRACE-LH	FLEETSIDE 73-80 (1)	56.19	44.95
30-3743	(21)	INNER BRACE-RH	FLEETSIDE 73-80 (1)	56.19	44.95
30-3758		INNER BRACE-LH	FLEETSIDE 81-87 (1)	41.19	32.95
30-3759		INNER BRACE-RH	FLEETSIDE 81-87 (1)	41.19	32.95
30-3751		INNER BRACE-LH	STEPSIDE 73-87 (1)	49.94	39.95
30-3750		INNER BRACE-RH	STEPSIDE 73-87 (1)	49.94	39.95
30-0225	(22)	BOLT-BRACE/FRAME	CHEVY GMC 73-87 (6)	2.44	1.95
30-0680	(23)	LOCK WASHER	CHEVY GMC 73-87 (6)	.56	.45
30-0820	(24)	HEX NUT	CHEVY GMC 73-87 (6)	1.19	.95
30-3782	(25)	DEFLECTOR-LH	FLEETSIDE 73-87 (1)	12.44	9.95
30-3783	(26)	DEFLECTOR-RH	FLEETSIDE 73-87 (1)	12.44	9.95
30-3776		DEFLECTOR-LH	STEPSIDE 73-87 (1)	12.44	9.95
30-3777		DEFLECTOR-RH	STEPSIDE 73-87 (1)	12.44	9.95
30-0534	(27)	SCREW-PAN HEAD PHILLIPS	CHEVY GMC 73-87 (4)	2.44	1.95
30-0656	(28)	FLAT WASHER	CHEVY GMC 73-87 (4)	.31	.25
30-0626	(29)	LOCK WASHER	CHEVY GMC 73-87 (4)	.44	.35
30-0845	(30)	HEX NUT	CHEVY GMC 73-87 (4)	.81	.65

Attaching brackets are different for rear step bumper and rear standard bumper. Check your truck before ordering.