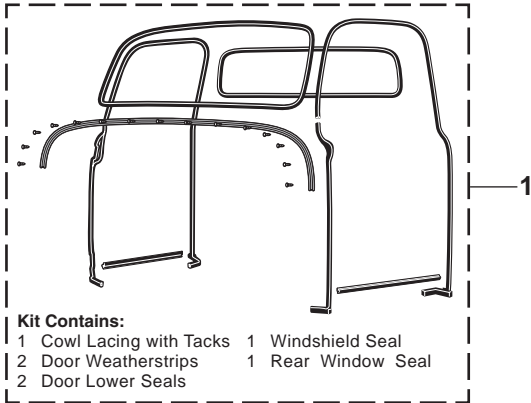


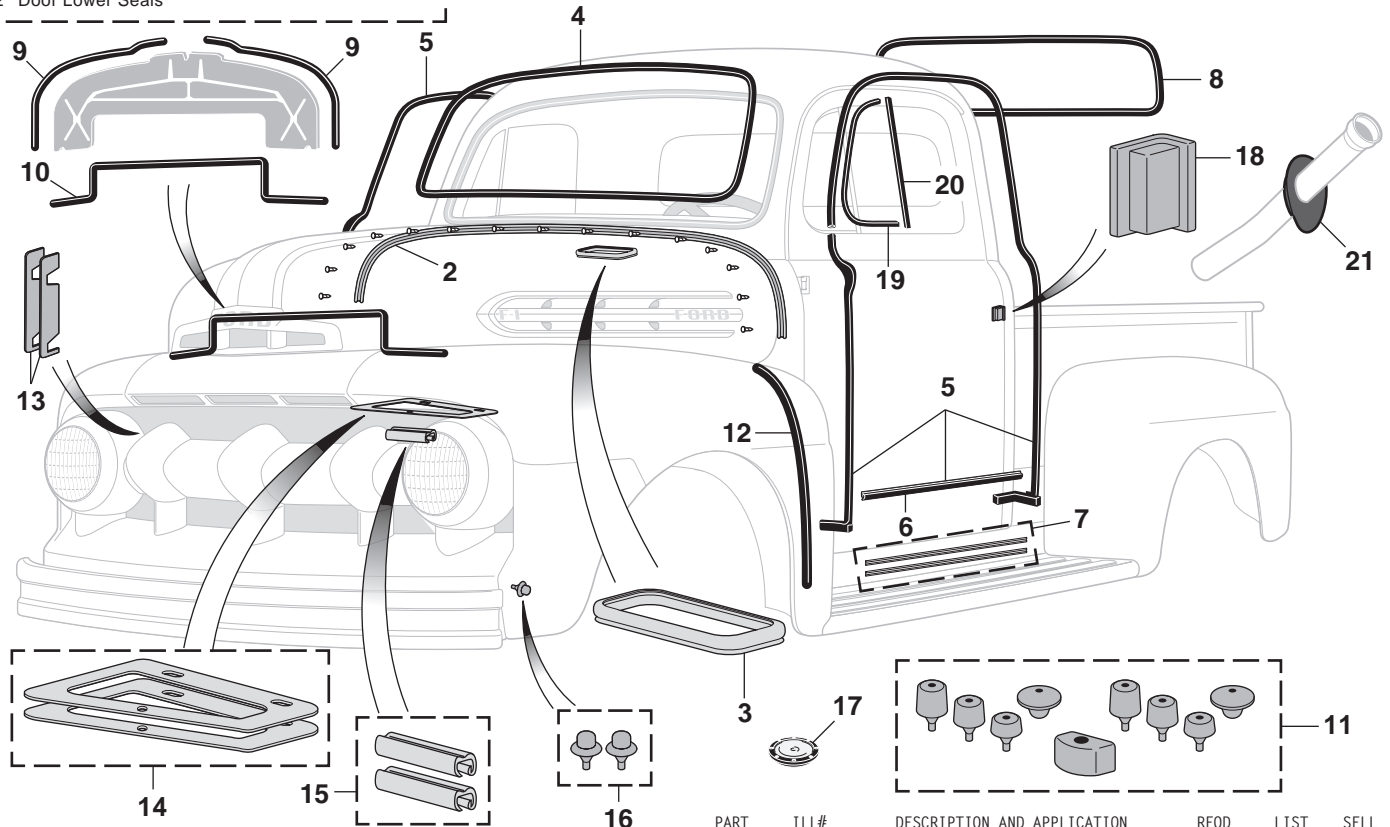
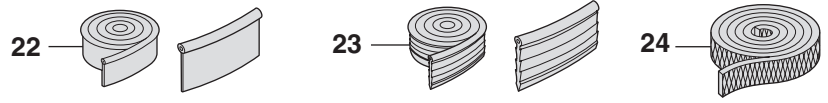
## Exterior Rubber Kit and Components

F1 F2 1948-52



- Kit Contains:**
- 1 Cowl Lacing with Tacks
  - 2 Door Weatherstrips
  - 2 Door Lower Seals
  - 1 Windshield Seal
  - 1 Rear Window Seal

**#42-0812 Super Weatherstrip Adhesive** is fast drying, high strength, waterproof and is great for bonding all types of truck parts. Dries black.



Standard Rubber Seals do not have a groove for chrome trim.  
Custom Rubber Seals do have a groove for chrome trim.

PART	ILL#	DESCRIPTION AND APPLICATION	REQD	LIST	SELL
49-9650	(1)	EXTERIOR RUBBER KIT "A"	F1 F2	48-50 (1)	99.94 79.95
49-9651		EXTERIOR RUBBER KIT "A"	F1 F2	51-52 (1)	99.94 79.95
49-9652		EXTERIOR RUBBER KIT "B"	F1 F2	51-52 (1)	99.94 79.95
41-1510	(2)	COWL LACING KIT W/TACKS	F1 F2	48-52 (1)	12.44 9.95
41-1525	(3)	COWL VENT GASKET	F1 F2	48-52 (1)	8.69 6.95
49-9210	(4)	WINDSHIELD RUBBER-STD	F1 F2	48-52 (1)	24.94 19.95
49-9211		WINDSHIELD RUBBER-CUSTOM	F1 F2	51-52 (1)	24.94 19.95
49-9310	(5)	DOOR WEATHERSTRIP SET	F1 F2	48-52 (1)	49.94 39.95
41-1530	(6)	DOOR SEAL SET-LOWER	F1 F2	48-52 (1)	9.94 7.95
49-9105	(7)	DOOR SEAL RETAINER SET "C"	F1 F2	48-52 (1)	11.19 8.95
49-9250	(8)	REAR WINDOW RUBBER-STD	F1 F2	48-50 (1)	24.94 19.95
49-9251		REAR WINDOW RUBBER-STD	F1 F2	51-52 (1)	24.94 19.95

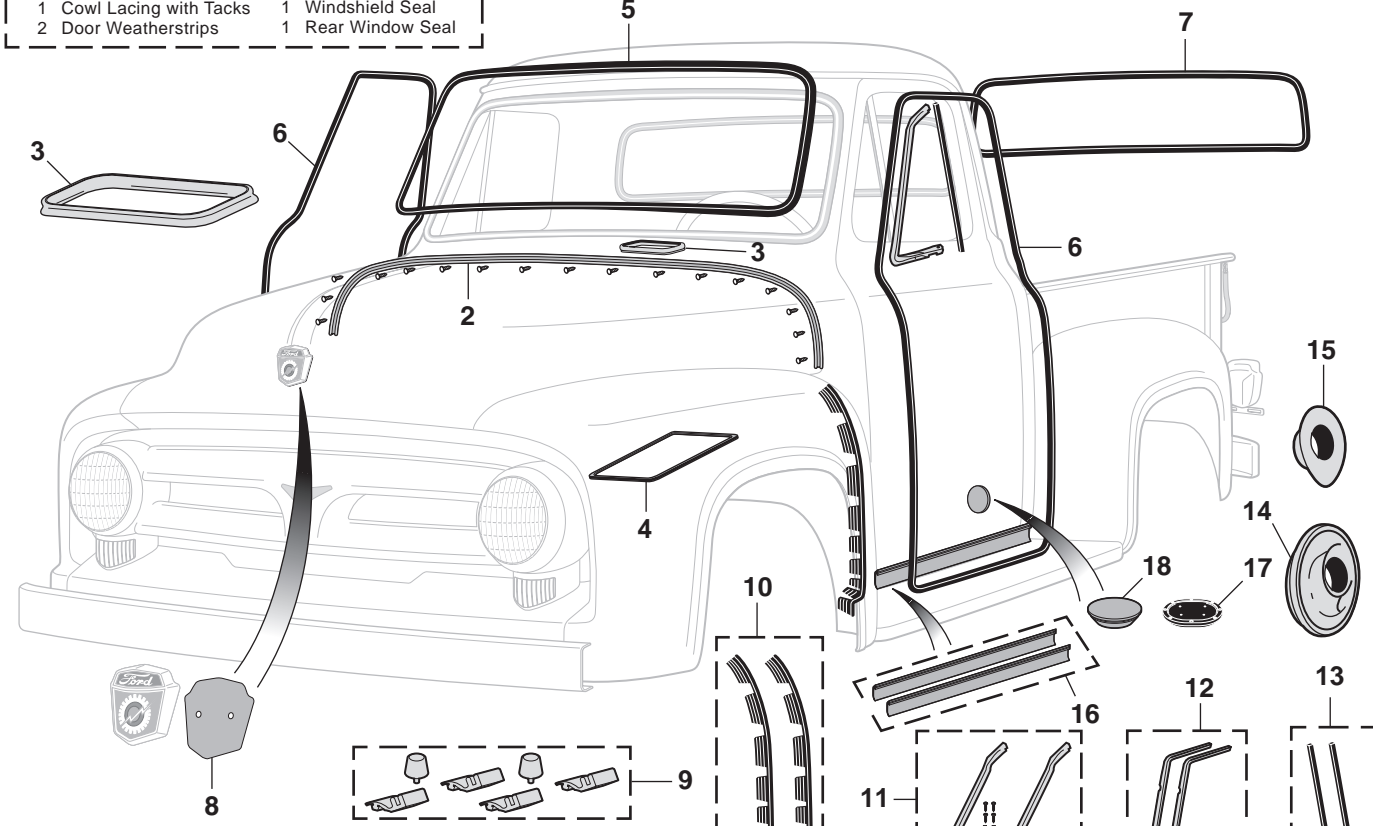
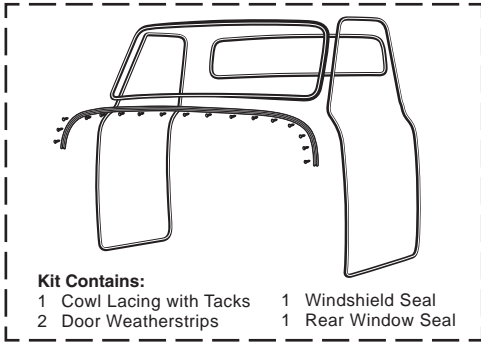
Note: "A" With standard windshield rubber.  
"B" With custom windshield rubber.  
"C" Lower Door Seal Retainer Set does not include the door seal.

PART	ILL#	DESCRIPTION AND APPLICATION	REQD	LIST	SELL
41-1539	(9)	SHROUD SEAL	F1 F2	48-52 (2)	7.44 5.95
41-1540	(10)	HOOD/AIR DEFLECTOR SEAL	F1 F2	48-52 (1)	6.19 4.95
41-1500	(11)	HOOD BUMPER KIT-9PC	F1 F2	48-52 (1)	9.94 7.95
41-1520	(12)	COWL TO FENDER SEAL SET	F1 F2	48-52 (1)	12.44 9.95
41-1423	(13)	HEADLIGHT/GRILLE GASKET SET	F1 F2	48-50 (1)	2.81 2.25
41-1532	(14)	FENDER PLATE GASKET SET	F1 F2	51-52 (1)	3.69 2.95
41-1533	(15)	FENDER BRACE FILLER SET	F1 F2	48-52 (1)	8.69 6.95
41-1534	(16)	FENDER APRON BUMPER SET	F1 F2	48-52 (1)	6.19 4.95
45-3610	(17)	MASTER CYLINDER COVER PLUG	F1 F2	48-52 (1)	7.44 5.95
41-1570	(18)	DOOR BUMPER	F1 F2	48-52 (4)	2.44 1.95
49-9350	(19)	VENT SEAL SET-FRONT	F1 F2	48-52 (1)	37.44 29.95
49-9380	(20)	VENT SEAL SET-REAR	F1 F2	48-52 (1)	18.69 14.95
41-1550	(21)	FUEL NECK GROMMET	F1 F2	48-52 (1)	12.44 9.95
41-1600	(22)	FENDER WELTING-CLOTH	25FT F1 F2	48-52 A/R	14.94 11.95
41-1605	(23)	FENDER WELTING-RUBBER	7FT F1 F2	48-52 A/R	9.94 7.95
49-9305	(24)	BODY TO FRAME WEBBING	30FT F1 F2	48-52 A/R	31.19 24.95
42-0812		SUPER ADHESIVE-BLACK	5 OUNCE TUBE	7.44 5.95	

Exterior Rubber Kit and Components

F100 F250 1953-56

**#42-0812 Super Weatherstrip Adhesive** is fast drying, high strength, waterproof and is great for bonding all types of truck parts. Dries black.



Standard Rubber Seals do not have a groove for chrome trim.  
 Custom Rubber Seals do have a groove for chrome trim.

PART	ILL#	DESCRIPTION AND APPLICATION	REQD	LIST	SELL
49-9660	(1)	EXTERIOR RUBBER KIT "A"	F100 F250 53-55 (1)	99.94	79.95
49-9661		EXTERIOR RUBBER KIT "A"	F100 F250 56 (1)	99.94	79.95
49-9663		EXTERIOR RUBBER KIT "B"	F100 F250 56 (1)	112.44	89.95
41-1510	(2)	COWL LACING KIT W/TACKS	F100 F250 53-56 (1)	12.44	9.95
41-1526	(3)	COWL VENT GASKET	F100 F250 53-56 (1)	8.69	6.95
41-1620	(4)	BATTERY HOLE COVER-SEAL	F100 F250 53-55 (1)	8.69	6.95
41-1621		BATTERY HOLE COVER-SEAL	F100 F250 56 (1)	8.69	6.95
49-9214	(5)	WINDSHIELD RUBBER-STD	F100 F250 53-55 (1)	31.19	24.95
49-9216		WINDSHIELD RUBBER-STD	F100 F250 56 (1)	31.19	24.95
49-9217		WINDSHIELD RUBBER-CUSTOM	F100 F250 56 (1)	37.44	29.95
49-9315	(6)	DOOR WEATHERSTRIP SET	F100 F250 53-55 (1)	49.94	39.95
49-9316		DOOR WEATHERSTRIP SET	F100 F250 56 (1)	49.94	39.95
49-9255	(7)	REAR WINDOW RUBBER-STD	F100 F250 53-56 (1)	24.94	19.95
49-9257		REAR WINDOW RUBBER-STD	F100 F250 56 (1)	37.44	29.95
49-9258		RR WINDOW RUBBER-CUSTOM	F100 F250 56 (1)	37.44	29.95
41-1490	(8)	HOOD EMBLEM PAD	F100 F250 53-56 (1)	3.69	2.95
41-1501	(9)	HOOD BUMPER KIT-6PC	F100 F250 53-56 (1)	9.94	7.95
41-1521	(10)	COWL TO FENDER SEAL SET	F100 F250 53-56 (1)	12.44	9.95
49-9351	(11)	VENT SEAL SET-FRONT	F100 F250 53-55 (1)	37.44	29.95
49-9352	(12)	VENT SEAL SET-FRONT	F100 F250 56 (1)	37.44	29.95
49-9381	(13)	VENT SEAL SET-REAR	F100 F250 53-55 (1)	18.69	14.95
49-9382		VENT SEAL SET-REAR	F100 F250 56 (1)	24.94	19.95
41-1551	(14)	FUEL NECK GROMMET	F100 F250 53-55 (1)	14.94	11.95
41-1552	(15)	FUEL NECK GROMMET	F100 F250 56 (1)	11.19	8.95
41-1495	(16)	CAB SKIRT SEAL SET	F100 F250 53-55 (1)	18.69	14.95
41-1496		CAB SKIRT SEAL SET	F100 F250 56 (1)	16.19	12.95
45-3612	(17)	MASTER CYLINDER COVER PLUG	F100 F250 53-56 (1)	21.19	16.95
41-1513	(18)	LOWER CAB PANEL PLUG	F100 F250 53-56 (1)	3.69	2.95
41-1600	(19)	FENDER WELTING-CLOTH	25FT F100 F250 53-56 A/R	14.94	11.95
41-1605	(20)	FENDER WELTING-RUBBER	7FT F100 F250 53-56 A/R	9.94	7.95
49-9305	(21)	BODY TO FRAME WEBBING	30FT F100 F250 53-56 A/R	31.19	24.95
42-0812		SUPER ADHESIVE-BLACK	5 OUNCE TUBE	7.44	5.95

Note: "A" With standard windshield and rear window rubber.  
 "B" With custom windshield rubber and custom wraparound rear window rubber.

Note: "C" Fits models with small flat glass rear window.  
 "D" Fits models with large wraparound rear window.